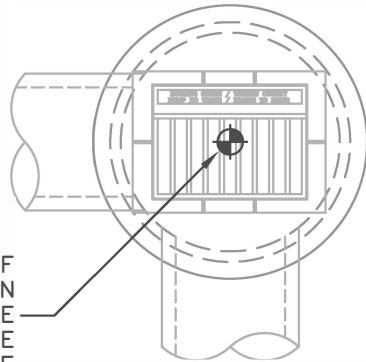
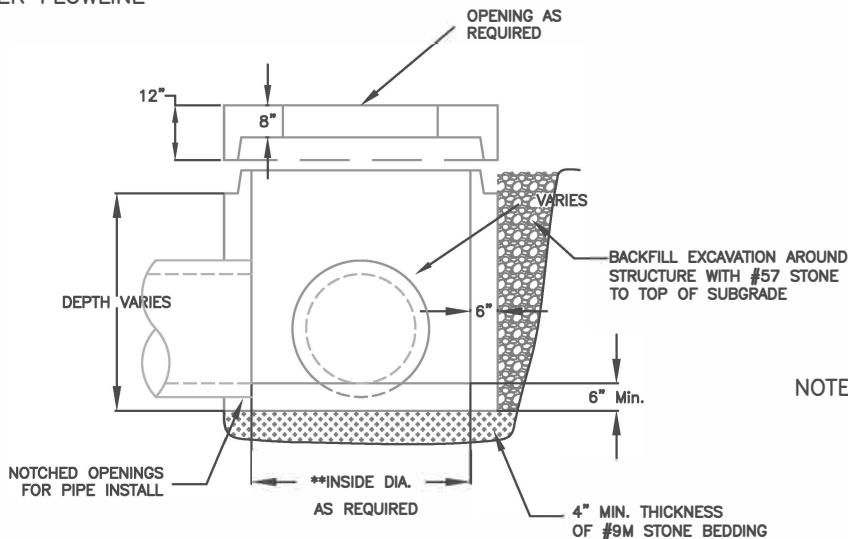


LOCATION OF STRUCTURES SHOWN ON THE PLANS ARE REFERENCED TO THE CENTER OF STRUCTURE

INLET ELEVATIONS ARE REFERENCED TO THE GUTTER FLOWLINE

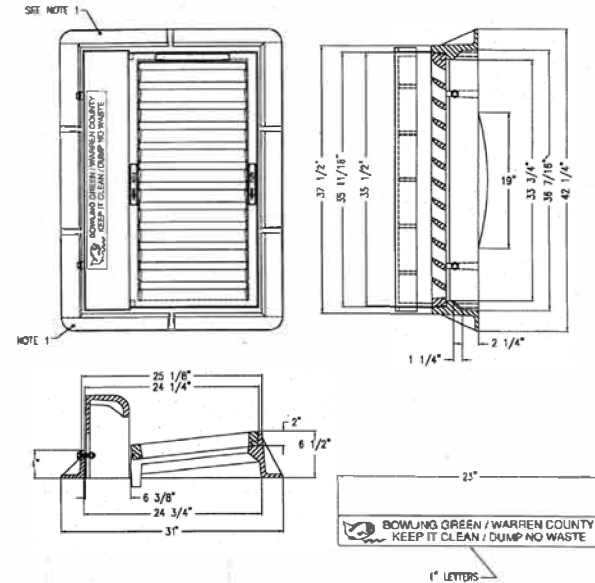


PLAN VIEW



SECTION VIEW

**BGKY TYPE F CURB BOX INLET**  
(N.T.S.)



**FRAME & GRATE  
DETAIL  
(JBS 3080)**

NOTES: PRODUCT SHALL MEET ASTM C-478 SPECIFICATION  
CONCRETE SHALL BE 4000 P.S.I.

\*\* USE 4'Ø STRUCTURE FOR PIPE SIZES UP TO 24"  
USE 5'Ø STRUCTURE FOR 30" & LARGER PIPE  
OR AS NOTED ON THE PLANS



CITY OF BOWLING GREEN  
PUBLIC WORKS DEPARTMENT

**BGKY CURB BOX INLET  
TYPE F**

File: J:/DWG/Detail/BGKY Type F.dwg

**SHEET 1 OF 1**

JOB NO.	SCALE	DATE
N/A	N.T.S.	17 JUNE 2020