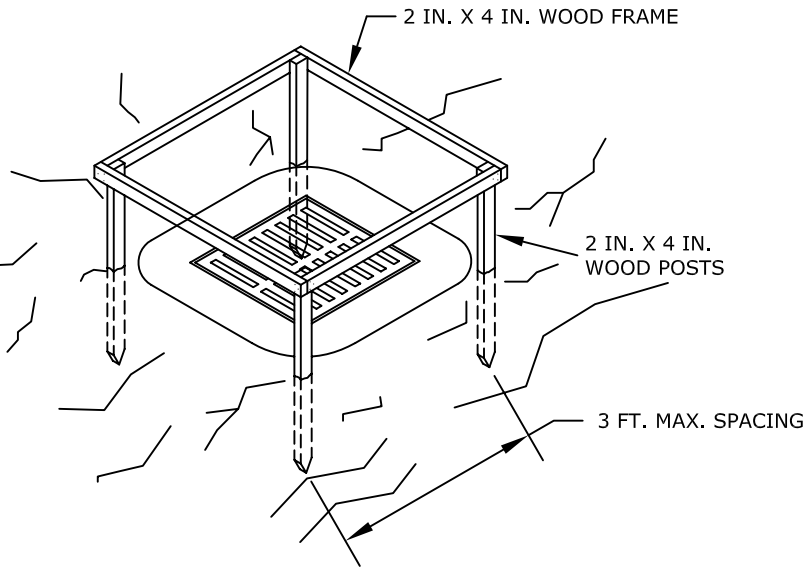


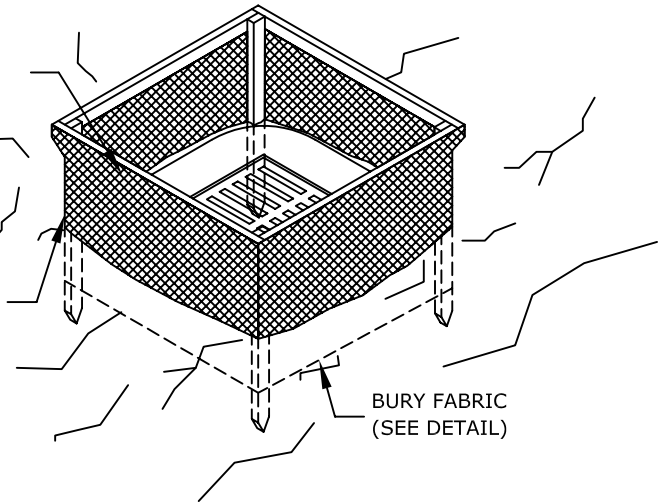
CONSTRUCT DOWNSTREAM DIKE WHEN REQUIRED TO PREVENT BY-PASS FLOW.



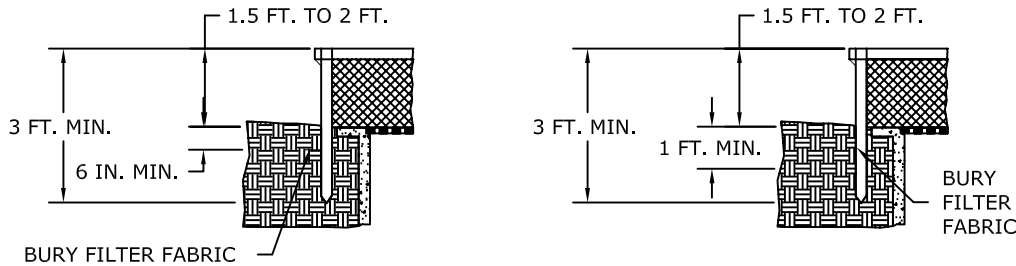
WOOD FRAME INSTALLATION DETAIL

ATTACH FILTER FABRIC TO FRAME AND POSTS WITH STAPLES @ 8 IN. (MAX.) O.C.

FOLD FABRIC TO OVERLAP ENDS AND SECURE TO POST WITH STAPLES



FILTER FABRIC INSTALLATION DETAIL



FILTER FABRIC BURIAL OPTIONS

THIS STRUCTURE IS FOR USE IN UNPAVED AREAS ONLY.
MAXIMUM CONTRIBUTING DRAINAGE AREA = 1 ACRE

SOURCE: LOUISVILLE MSD, INDIANA HANDBOOK FOR EROSION CONTROL IN DEVELOPING AREAS, NORTH CAROLINA SWDIMENT AND EROSION CONTROL PLANNING AND DESIGN MANUEL



City of Bowling Green

Public Works Planning and Design
1011 College Street
Bowling Green, Kentucky 42101

**FILTER FABRIC
INLET PROTECTION**

STANDARD DRAWING NO. **SMP-11-01**

APPROVED BY: _____ DIRECTOR OF ENGINEERING _____ DATE _____