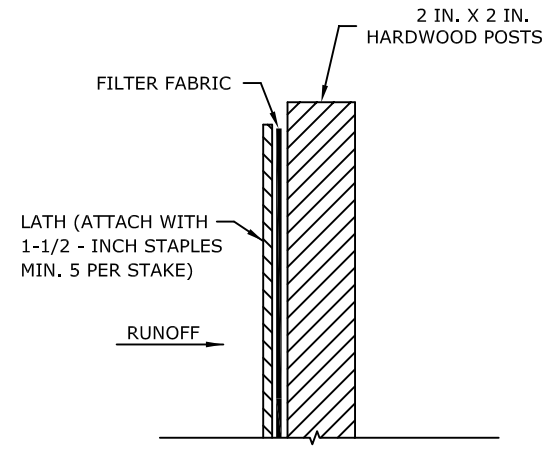
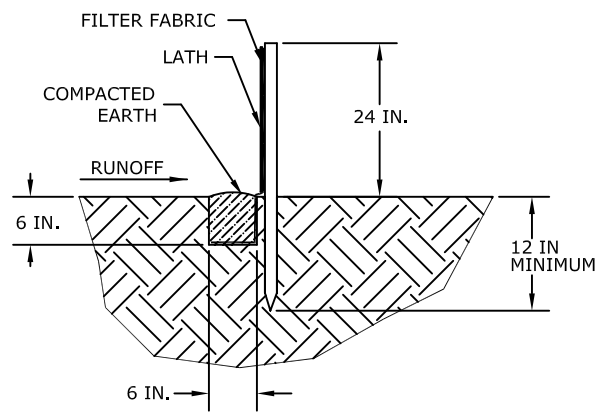


SILT FENCE INSTALLATION

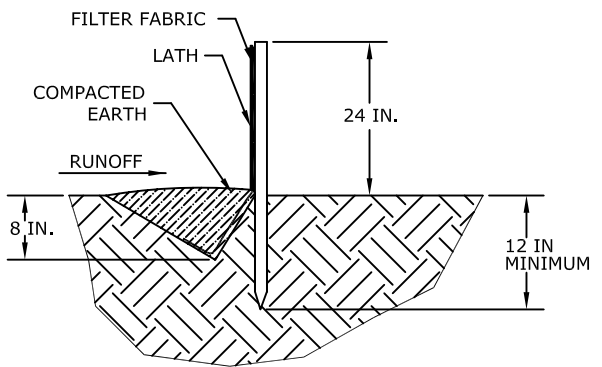
MATERIAL SPECIFICATION	
SPECIFICATION	LIGHT DUTY SILT FENCE (SF-LD)
MIN. TENSEL STRENGTH (LBS) ASTM D-4632	WARP - 120 FILL - 100
MAX. ELONGATION (%) ASTM D-4632	40
APPARENT OPENING SIZE MAX. SIEVE SIZE (ASTM D-4751)	#30
MAX. FLOW RATE (GAL/MIN/SF) GDT - 87	25
ULTRAVIOLENT STABILITY ASTM D-4632 AFTER 300 HOURS PER ASTM D-4355	80
MIN. BURSTING STRESS (PSI) ASTM D-3786	WARP - 120 FILL - 100
MIN. FABRIC WIDTH (IN)	36 IN.



FABRIC ATTACHMENT DETAIL



FLAT BOTTOM TRENCH SECTION



V-SHAPED TRENCH SECTION

SOURCE: LOUISVILLE MSD & TDEC



City of Bowling Green
Public Works Planning and Design
1011 College Street
Bowling Green, Kentucky 42101

**SILT FENCE
LIGHT DUTY (SF-LD)**

STANDARD DRAWING NO. **SMP-02-01**

APPROVED BY: _____ DATE _____
DIRECTOR OF ENGINEERING