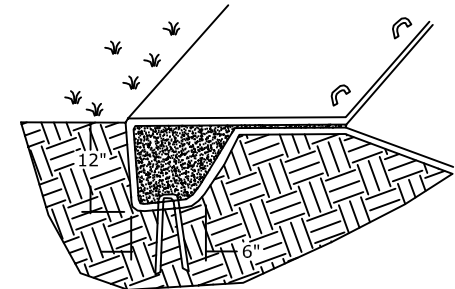
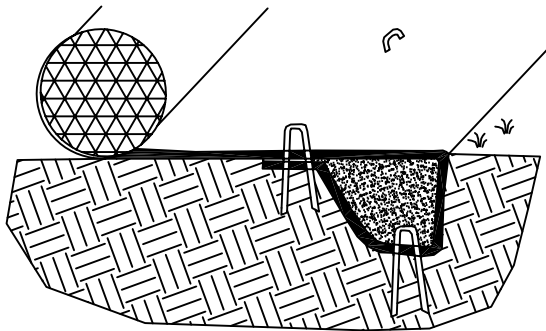


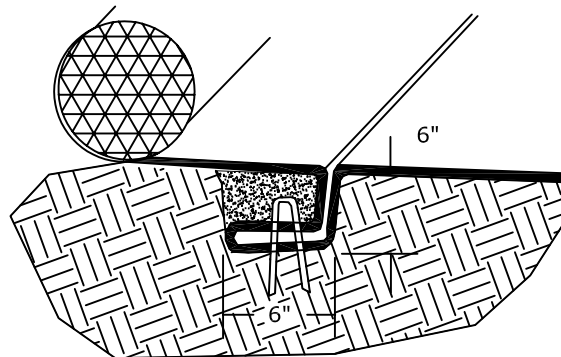
LONGITUDINAL ANCHOR TRENCH



TERMINAL SLOPE AND CHANNEL ANCHOR TRENCH



INITIAL CHANNEL ANCHOR TRENCH



INTERMITTENT CHECK SLOT

1. CHECK SLOTS TO BE CONSTRUCTED PER MANUFACTURERS SPECIFICATIONS.
2. STAKING OR STAPLING LAYOUT PER MANUFACTURERS SPECIFICATIONS.

FIGURE 1

SOURCE: LOUISVILLE MSD  
TDEC



City of Bowling Green

Public Works Planning and Design  
1011 College Street  
Bowling Green, Kentucky 42101

**EROSION BLANKETS & MATS  
CHANNEL INSTALLATION**

STANDARD DRAWING NO. **EPP-11-01**

APPROVED BY: \_\_\_\_\_ DIRECTOR OF ENGINEERING \_\_\_\_\_ DATE \_\_\_\_\_