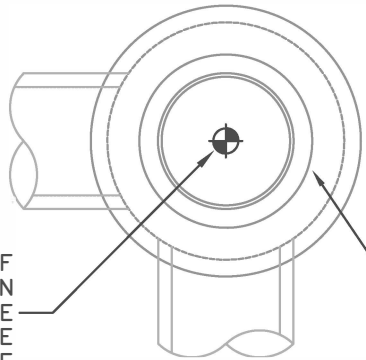


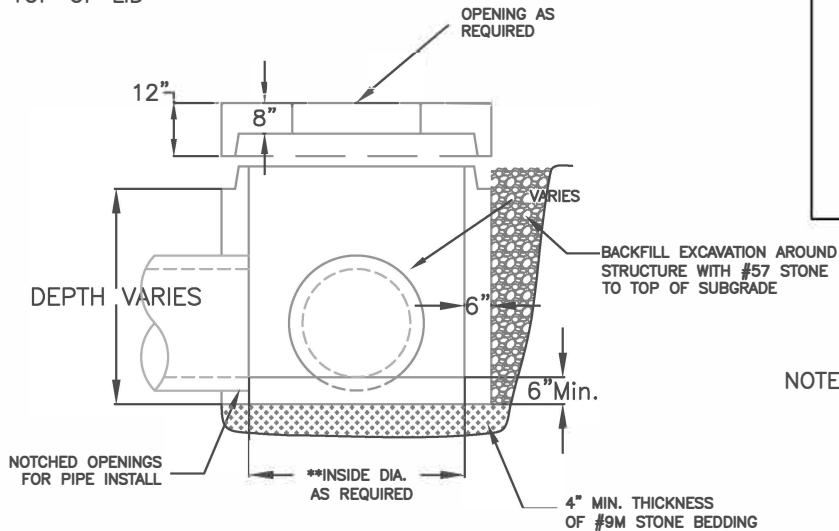
LOCATION OF STRUCTURES SHOWN ON THE PLANS ARE REFERENCED TO THE CENTER OF STRUCTURE



OPENING SIZED TO FIT SPECIFIED LID

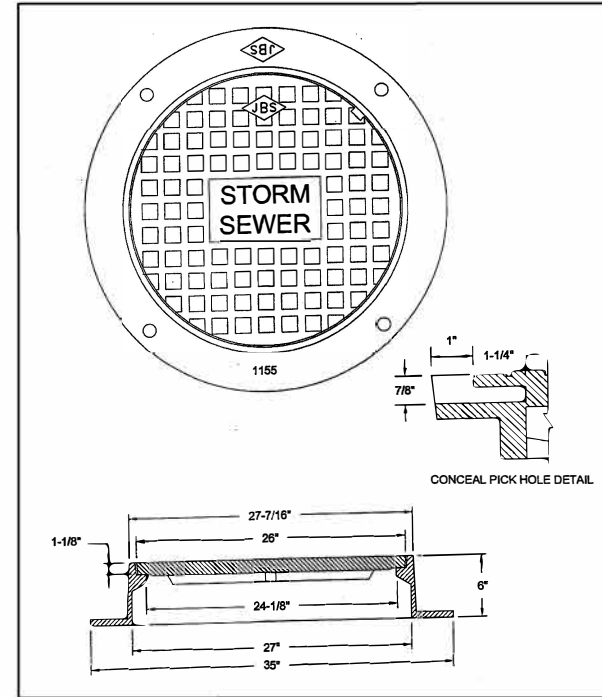
PLAN VIEW

RIM ELEVATIONS ARE REFERENCED TO THE TOP OF LID



SECTION VIEW

BGKY STORM MANHOLE (N.T.S.)



BGKY STORM MANHOLE (JBS 1155 OR EQUAL)

NOTES: PRODUCT SHALL MEET ASTM C-478 SPECIFICATION CONCRETE SHALL BE 4000 P.S.I.

** USE 4'Ø STRUCTURE FOR PIPE SIZES UP TO 24"
USE 5'Ø STRUCTURE FOR 30" & LARGER PIPE OR AS NOTED ON THE PLANS



CITY OF BOWLING GREEN
PUBLIC WORKS DEPARTMENT

BGKY
STORM MANHOLE

J:/DWG/Detail/BGKY Storm MH.dwg

SHEET 1 OF 1

JOB NO.	SCALE	DATE
N/A	N.T.S.	06/17/20