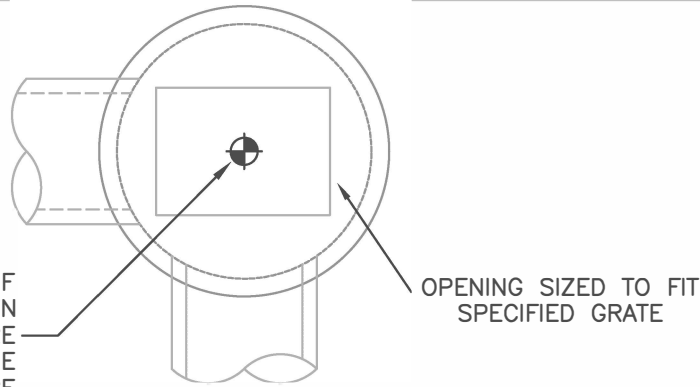
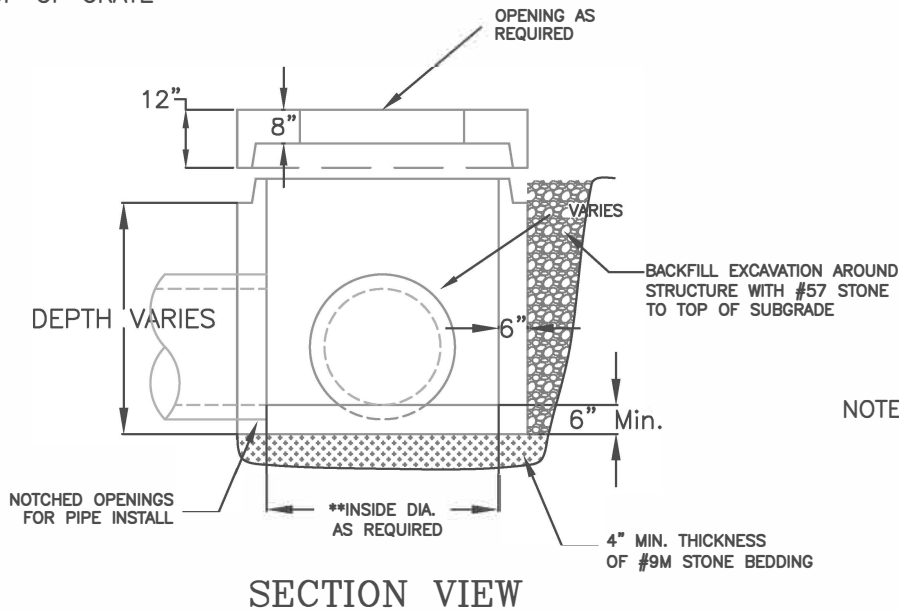


LOCATION OF STRUCTURES SHOWN ON THE PLANS ARE REFERENCED TO THE CENTER OF STRUCTURE



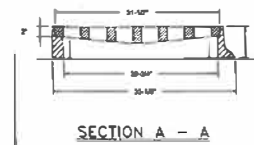
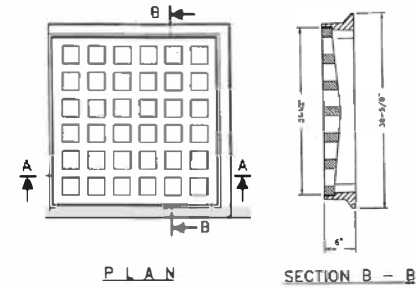
PLAN VIEW

INLET ELEVATIONS ARE REFERENCED TO THE TOP OF GRATE



SECTION VIEW

BGKY DROP BOX INLET  
(N.T.S.)



JBS 4300 FRAME  
& GRATE DETAIL

NOTES: PRODUCT SHALL MEET ASTM C-478 SPECIFICATION  
CONCRETE SHALL BE 4000 P.S.I.

\*\* USE 4'Ø STRUCTURE FOR PIPE SIZES UP TO 24"  
USE 5'Ø STRUCTURE FOR 30" & LARGER PIPE  
OR AS NOTED ON THE PLANS



CITY OF BOWLING GREEN  
PUBLIC WORKS DEPARTMENT

BGKY  
DROP BOX INLET

J:/DWG/Detail/BGKY Drop Box Inlet.dwg

SHEET 1 OF 1

JOB NO.	SCALE	DATE
N/A	N.T.S.	06/17/20