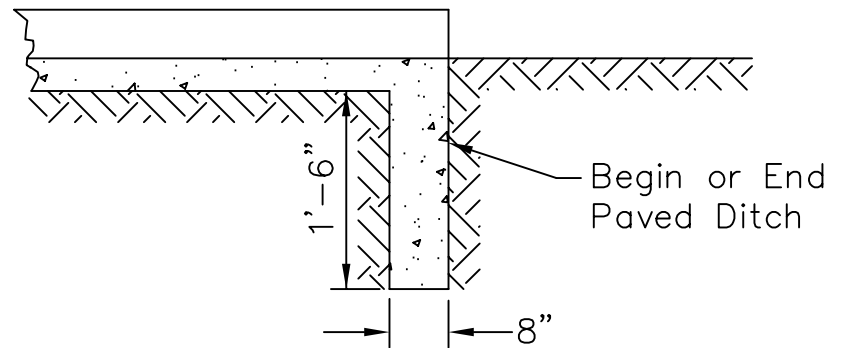


NOTES:

1. Class "A" concrete with polypropylene fiber.
2. Curtain walls shall be used at beginning and end of ditches.
3. Broom finish perpendicular to flow.



SECTION THRU CURTAIN WALL



**City of Bowling Green**

Public Works Planning and Design  
1011 College Street  
Bowling Green, Kentucky 42101

**PAVED DITCH INTERSECTION**

STANDARD DRAWING NO. **SMP-08-04**

APPROVED BY: \_\_\_\_\_ DATE \_\_\_\_\_  
DIRECTOR OF ENGINEERING

SOURCE: LOUISVILLE MSD