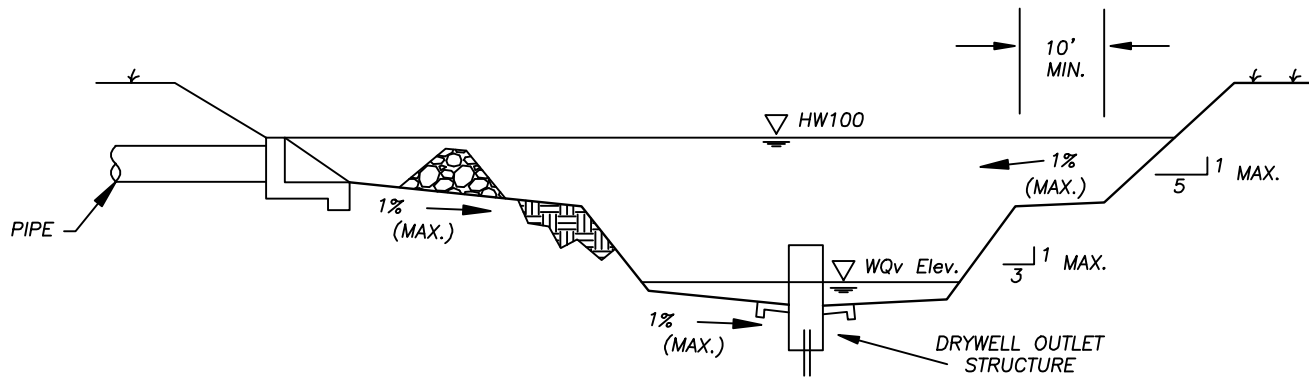


PLAN VIEW



PROFILE VIEW



CITY OF BOWLING GREEN
PUBLIC WORKS DEPARTMENT

Extended Dry Retention
Detail

J:\DWG\Detail\Extended Dry Retention

SHEET 1 OF 1

JOB NO.	SCALE	DATE
NA	N.T.S	9 Nov 06